

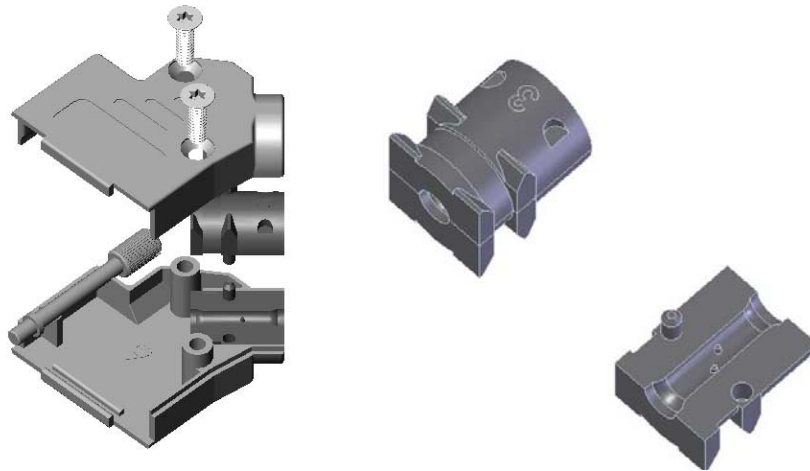


NEWSLETTER 03:2005

NEW CABLE STRAIN RELIEF

Ossi Connectors has expanded the range of cable strain relieves for EMI/RFI-shielded and plastic Sub-D backshells. Latest version is designed for 3 mm cable. This cable strain relief has been developed from client requirement to fit more compact cables. The unique system with two separate halves can easily be designed to fit all types of round cable dimension requirements from the market.

OSSI Backshell with new 3 mm strain relief



Benefits include:

- *Excellent EMI/RFI shielding and mechanical performance*
- *New versions can be developed to fit your cable dimensions*
- *Range of different sizes for cable dimensions available in 3, 4, 5, 7 and 9 mm*
- *No hazardous material that causes damage to the environment*
- *Comply to RoHS 2002/95/EC and WEEE 2002/96/EC*

Please contact Ossi Connectors for more information about this product range .

Contacts:
Ossi Connectors A/S
Box 125
DK-4930 Maribo
Denmark

Tel: +45 54 78 28 88
Fax: +45 54 78 33 40
E-mail: info@ossi.dk
Internet: www.ossi.dk